



D101AEA COMPACT D101AEA

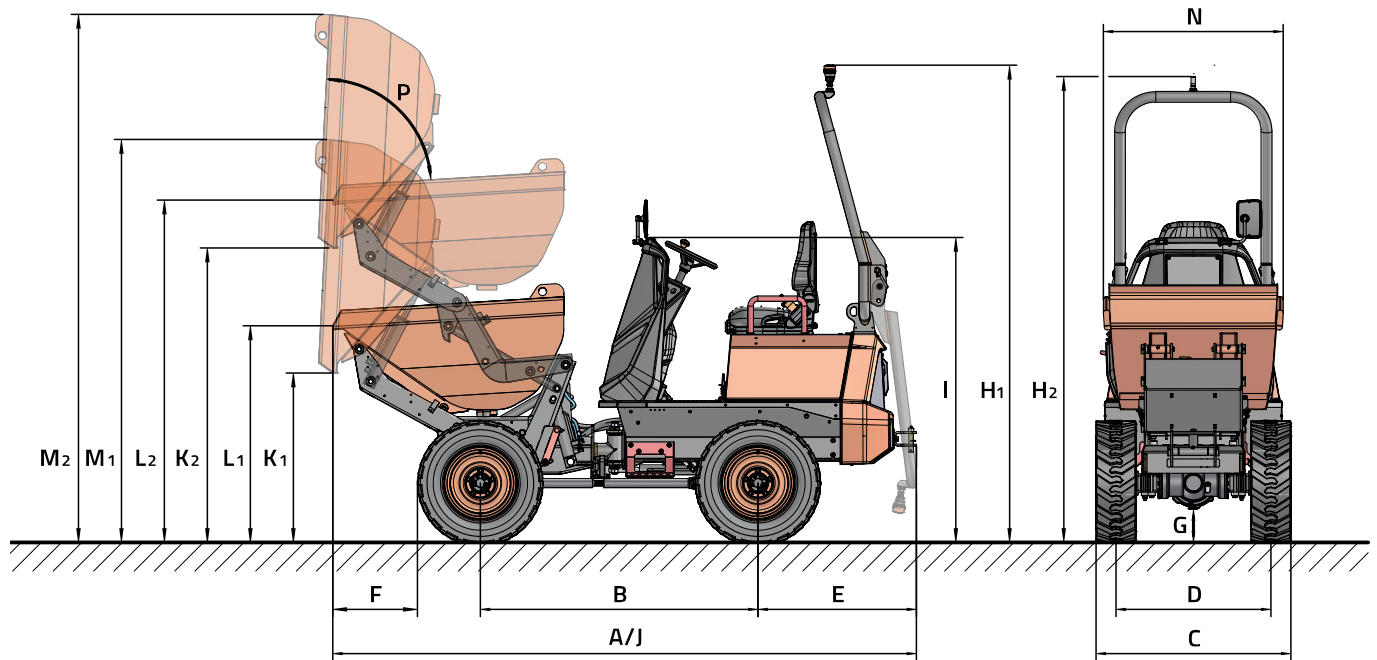


TECHNICAL DATA

GENERAL		D101AEA COMPACT	D101AEA
Unloading system	-		High
Load capacity	lb		2,200
Chassis	-		Articulated
Water hopper capacity	cu yd		0.45
Level hopper capacity	cu yd		0.51
Heaped hopper capacity	cu yd		0.73
Empty weight *	lb		3,152
Transmission	-		Electric
ENGINE			
Peak/Nominal power	hp		26.3 / 10.2
Peak torque	N.m		130
Emissions	-		Zero emissions
DRIVING			
Max. speed	mph		8.7
Maximum gradient	%		35
External turning radius	in	121.2	133.4
Traction	-		4WD
Tires	-	27x8.50-15 / 6.5/80-12	10.0/75-15.3
HYDRAULIC SYSTEM			
Hydraulic circuit	-		0.73 cu in. Gear pump
Flow rate	gal/min		6
Working pressure	psi		2,610
Tank capacity	gal		6.5
BRAKES			
Service	-		Sealed. Hydraulic drive
Parking	-		Negative brake and electro-hydraulic release
BATTERY			
Battery type	-		Lithium-Ion Battery (NCM)
Gross capacity	kWh		9.3
System voltage	V		51.2
Autonomy ***	-		One intense shift
CHARGE			
Charger	-		Integrated
Charging time 20-80% **	-		2h (@230V)
Charging time 20-80% (external fast charger) **	-		1h (@400V)
Charging cable plug type	-		16A 110V (yellow); 16A 230V (blue); 16A 400V (red)

* It may change due to optional equipment. ** Subject to environmental conditions and to the kind and power of charging station.
*** Subject to environmental conditions and the kind of use. For temperatures under 32°F it is recommended to fit the Long Range pack.

DIMENSIONS



DIMENSIONS (in)	D101AEA COMPACT		D101AEA	
A	128.3		128.3	
B	61		61	
C	38.6	39	42.6	
D	32		34	
E	34.8		34.8	
F	20.9		19.5	
G	5.6		7.3	
H	103.9	101.5	105.2	102.9
I	66.1		67.4	
J	128.3		128.3	
K	34.9	62.5	36.9	64.5
L	45.8	73.3	47.8	75.3
M	87.5	115.1	88.9	116.4
N	39.4		39.4	
DIMENSIONS (°)	-		-	
P	83		83	

1 ▲

▲ 2

1 ▲

▲ 2



www.ausa.com

Products are subject to modifications without prior notice. Images throughout the spec sheet may refer to non-standard machines or non-available configurations depending on models.

AUSA's logo and corporate identity are property of the Company, they cannot be used without authorization.